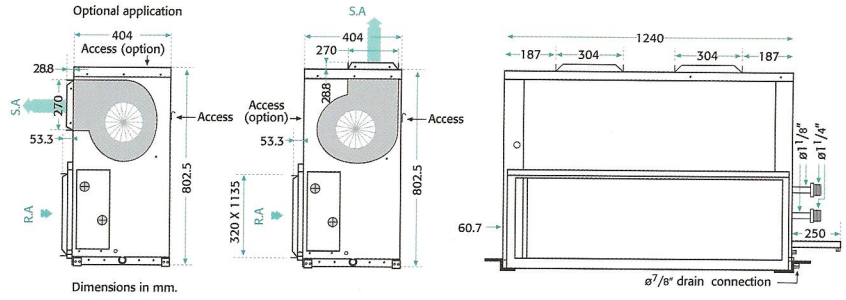


AWV 2000



Technical Data

Air flow rate	M ³ /HR (CFM):	3400 (2000)
Fan quantity/type		2 x DD 9-9
Fan motor	SPEED/ HP:	3/1/3 (x2)
Nominal rpm		950
Power supply	V/PH/Hz:	220 - 240/1/50
Current	A:	2 x 1.1
Electric Heater Options	kW:	4.7 / 5.8 / 9.3

Sound pressure level*	dBA:	49
External static pressure	Inch H ₂ O:	0.25(4 rows)
Drain tube diameter	Inch:	1/2 BSPT
Fuse (Type)	A(C):	10 With heater-see page 54
Coil face area	Ft ² /m ² :	4.2 / 0.39
Weight (Net)	Kg:	81

* Sound pressure level measured at 1.8m' from unit side and 1.5m' above floor level Extra insulation 1 inch and perforated sheet metal on the side panels reduces the sound level up to 2 DB

Water cooling coil rating

	EAT (F)		73 DB 62 WB				77 DB 65 WB				80 DB 67 WB				85 DB 71 WB			
	EWT	WTR	TC	SC	FLOW	PD	TC	SC	FLOW	PD	TC	SC	FLOW	PD	TC	SC	FLOW	PD
	°F	°F	kbtuh	kbtuh	gpm	ft	kbtuh	kbtuh	gpm	ft	kbtuh	kbtuh	gpm	ft	kbtuh	kbtuh	gpm	ft
4 rows	42	8	49.4	39.6	12.3	14.1	62.4	45.5	15.5	21	70.7	50.1	17.6	27.4	90	56.8	22.4	43.2
		10	44.1	37	8.8	7.5	56.1	42.8	11.2	11.7	64.5	47.5	12.8	15.2	84.4	54.5	16.8	25.3
		12	39.3	34.4	6.4	4.3	50.3	40.2	8.4	6.8	58.5	44.9	9.7	9	77.7	51.8	12.9	15.3
	45	8	41	35.7	10.2	9.9	52.3	41.3	13	15.6	60.8	46.1	15.1	20.6	79.5	52.7	19.7	34
		10	36.7	33.3	7.3	5.3	47	38.9	9.3	8.5	55	43.2	11	11.3	73.8	50.4	14.6	19.5
		12	33	30.5	5.5	3.1	42.3	36.6	7	4.8	49.6	41	8.2	6.6	67.2	47.9	11.2	11.6
	48	8	34.2	31.9	8.5	6.9	43.6	37.5	10.9	11	50.9	42.2	12.8	15	68.7	48.6	17.1	25.8
		10	31.2	29.3	6.1	3.8	39.5	35.3	7.8	6	46.3	39.8	9.1	8.1	63.3	46.5	12.6	14.5
		12	27.4	26.1	4.5	2.2	35.8	32.8	5.9	3.6	42.2	37.5	7	4.8	57.1	44	9.5	8.6
5 rows	42	8	56.3	41.8	14.1	11.3	68.1	48.4	17.0	16.2	77.6	53.3	19.4	21.0	98.8	60.9	24.6	33.1
		10	50.0	38.8	10.1	6.0	61.6	45.5	12.4	8.9	71.1	50.5	14.2	11.7	92.3	58.1	18.4	19.2
		12	44.0	35.8	7.3	3.4	55.2	42.7	9.2	5.2	64.6	47.7	10.8	6.9	85.1	55.2	14.2	11.7
	45	8	46.8	37.5	11.7	8.0	57.7	44.0	14.4	12.0	67.1	48.9	16.7	15.8	87.8	56.4	21.8	26.2
		10	41.4	34.7	8.3	4.2	51.6	41.4	10.4	6.1	61.0	46.3	12.3	8.7	81.1	53.7	16.2	14.9
		12	36.5	31.9	6.2	2.4	46.7	38.8	7.8	3.7	55.0	43.6	9.2	5.1	74.0	50.9	12.4	8.9
	48	8	38.6	33.4	9.7	5.5	48.4	39.9	12.1	8.5	56.7	44.7	17.0	11.6	76.0	51.8	19.0	19.9
		10	34.7	30.9	6.9	3.0	43.9	37.6	8.8	4.7	51.7	42.3	10.3	6.3	69.9	49.4	14.0	11.2
		12	30.3	27.7	5.1	1.7	39.8	35.1	6.6	2.8	47.0	39.9	7.9	3.7	63.4	46.8	10.6	6.6
6 rows	42	8	63.1	43.9	15.8	8.5	73.8	51.3	18.4	11.3	84.5	56.4	21.1	14.5	107.6	64.9	26.8	22.9
		10	55.9	40.6	11.3	4.4	67.1	48.2	13.5	6.1	77.7	53.4	15.5	8.1	100.1	61.6	20	13.1
		12	48.6	37.2	8.2	2.4	60	45.1	10	3.6	70.6	50.4	11.8	4.8	92.5	58.5	15.4	8
	45	8	52.5	39.2	13.2	6	63.1	46.6	15.8	8.3	73.4	51.7	18.3	11	96	60	23.9	18.4
		10	46	36.1	9.2	3	56.2	43.9	11.5	3.6	66.9	49.4	13.5	6.1	88.3	56.9	17.7	10.3
		12	40	33.2	6.8	1.7	51	41	8.6	2.6	60.4	46.1	10.1	3.6	80.8	53.8	13.5	6.1
	48	8	42.9	34.9	10.9	4	53.1	42.3	13.3	6	62.5	47.1	21.1	8.2	83.2	54.9	20.8	13.9
		10	38.1	32.4	7.7	2.2	48.2	39.9	9.7	3.3	57	44.8	11.5	4.5	76.4	52.2	15.3	7.9
		12	33.2	29.2	5.6	1.1	43.7	37.3	7.3	1.9	51.7	42.2	8.7	2.6	69.6	49.5	11.6	4.6

Water heating coil rating

	EAT (F)		70 DB		80 DB		
	EWT	WTD	TH	FLOW	WTD	TH	FLOW
	°F	°F	kbtuh	gpm	°F	kbtuh	gpm
1 row	113	13.60	18.45	2.78	10.40	14.26	2.78
	120	15.80	21.49	2.78	12.70	17.22	2.78
2 rows	113	12.40	33.63	5.54	9.50	25.81	5.54
	120	14.40	39.20	5.54	11.50	31.36	5.54

Preliminary data
Specifications subject to change
without notice

EA - Entering Air Temperature °F
EWT - Entering Water Temperature °F
WTR - Water Temperature Rise °F

TC - Total Cooling Capacity in 1000-BTU/H
SC - Sensible Cooling Capacity in 1000-BTU/H
PD - Pressure Drop FT H₂O

TH - Total Heating Capacity in 1000-BTU/H
WTD - Water Temperature Decrease °F