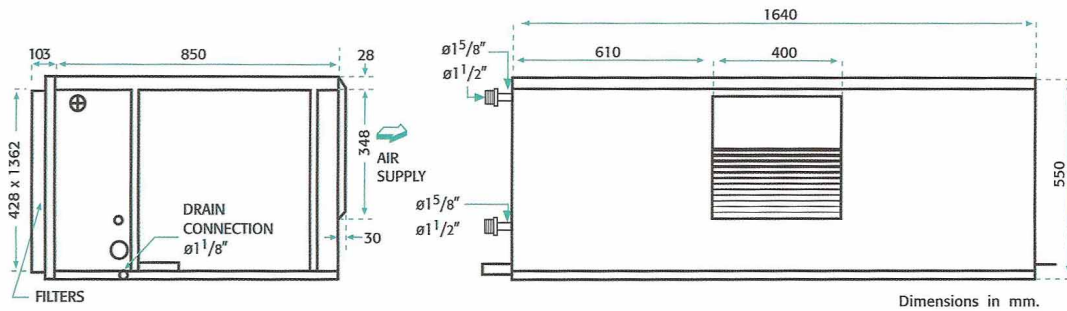


AWS 2500



Technical Data

Air flow rate	M ³ /HR (CFM):	4250 (2500)
Fan quantity/type		1 x DD 12-12
Fan motor	SPEED/ HP:	3 / 3/4
Nominal rpm		950
Power supply	V/PH/Hz:	220-240/1/50
Current	A:	4.6
Electric Heater Options	kW:	5.7 / 7.2 / 11.5
Sound pressure level*	dBA:	50
External static pressure	Inch H ₂ O:	0.25(8 rows)
Drain tube diameter	Inch:	1/2 BSPT
Fuse (Type)	A(C):	10 With heater-see page 54
Coil face area	Ft ² /m ² :	6.46 / 0.6
Weight (Net)	Kg:	110

* Sound pressure level measured at 1.8 m' from unit side and 1.5 m' above floor level
Perforated sheet metal on the side panels reduces the sound level up to 2 DB

Water cooling coil rating (8-rows)

EAT (F)		85 DB 71 WB				95 DB 78 WB			
EWT	WTR	TC	SC	FLOW	PD	TC	SC	FLOW	PD
°F	°F	kbtuh	kbtuh	gpm	ft	kbtuh	kbtuh	gpm	ft
42	8	175.4	102.8	44.2	7.0	253.8	132.1	63.7	13.9
	10	161.5	96.7	32.5	4.0	239.7	125.9	48.2	8.2
	12	144.2	89.3	24.3	2.3	222.8	119.7	37.4	5.0
45	8	156.1	94.3	39.3	5.6	231.1	122.8	58.1	11.5
	10	141.2	88.1	28.5	3.0	217.4	117.3	43.6	6.8
	12	122.9	80.8	20.7	1.6	204.6	111.6	34.3	4.3
48	8	135.9	86.0	34.3	4.3	212.4	114.6	53.5	9.8
	10	119.8	79.6	24.3	2.2	198.4	109.1	40.0	5.7
	12	101.8	72.6	17.3	1.2	182.4	103.1	30.7	3.5

Preliminary data
Specifications subject to change
without notice

EA - Entering Air Temperature °F
EWT - Entering Water Temperature °F
WTR - Water Temperature Rise °F

TC - Total Cooling Capacity in 1000·BTU/H
SC - Sensible Cooling Capacity in 1000·BTU/H
PD - Pressure Drop Ft H₂O