

FCR ▪ General Data



UNIT MODEL	300	400	600
FANS			
Type	Centrifugal		
Number	1	2	2
Fan wheel Dia/Width (mm)	144/200	144/180	144/200
MOTORS			
Type	Induction Permanent Capacitor		
HP	(1X) 1/30	(1X) 1/15	(1X) 1/15
Rpm: High	1100		
Med	960		
Low	800		
Electrical Data	220-240V/1Ph/50Hz		
COILS			
Face area m ² (sq.ft)	0.11 (1.16)	0.14 (1.50)	0.22 (2.38)
Fins per inch / Spacing mm	12 / 2.12		
Rows	3,4 or 3 Cooling + 1 Heating		
FILTER TYPE			
	Throw Away		
SOUND LEVELS			
Sound level rating dBA (1)	47	48	49
WEIGHT			
Kg (Lb)	23 (51)	28(62)	33(73)

(1) Sound pressure levels measured at 1m distance in a medium size room, using high fan speed.

FCR 600 - Cooling Capacity



Based on 26.7°C (80°F)/19.4°C (67°F) Entering air dry/Wet bulb temperatures

EWT	WTR	3 ROW COIL				4 ROW COIL			
		TH	SH	WF	PD	TH	SH	WF	PD
°C (°F)	°C (°F)	kw (MBH)	kw (MBH)	m ³ /h (gpm)	m (ft)	kw (MBH)	kw (MBH)	m ³ /h (gpm)	m (ft)
5.6 (42)	4.5 (8)	7.4 (25.20)	5.5 (18.90)	1.46 (6.30)	7.92 (26.0)	8.6 (29.48)	6.5 (22.11)	1.66 (7.32)	5.52 (18.1)
	5.5 (10)	7.3 (25.00)	5.5 (18.75)	1.14 (5.00)	4.6 (15.1)	8.5 (29.20)	6.4 (21.90)	1.33 (5.85)	3.63 (11.9)
	6.7 (12)	6.9 (23.40)	5.1 (17.55)	0.89 (3.90)	2.96 (9.7)	7.9 (26.94)	5.9 (20.20)	1.02 (4.49)	2.29 (7.5)
7.2 (45)	4.5 (8)	7.0 (24.00)	5.3 (18.00)	1.36 (6.00)	6.52 (21.4)	8.2 (28.00)	6.2 (21.00)	1.59 (7.00)	4.94 (16.2)
	5.5 (10)	6.7 (22.95)	5.0 (17.21)	1.04 (4.54)	3.9 (12.8)	7.9 (26.85)	5.9 (20.14)	1.22 (5.37)	3.14 (10.3)
	6.7 (12)	6.2 (21.00)	4.6 (15.75)	0.79 (3.5)	2.38 (7.8)	7.1 (24.06)	5.3 (18.04)	0.91 (4.01)	1.83 (6.0)
8.9 (48)	4.5 (8)	6.1 (20.87)	4.6 (15.65)	1.19 (5.22)	4.94 (16.2)	7.2 (24.52)	5.4 (18.39)	1.39 (6.13)	3.93 (12.9)
	5.5 (10)	5.8 (19.80)	4.4 (14.85)	0.9 (3.96)	2.9 (9.5)	6.8 (23.15)	5.1 (17.36)	1.05 (4.63)	2.32 (7.6)
	6.7 (12)	4.7 (16.00)	3.5 (12.00)	0.61 (2.67)	1.49 (4.9)	5.4 (18.36)	4.0 (13.77)	0.69 (3.03)	1.13 (3.7)

- EWT - Entering Water Temperature
- WTR - Water Temperature Rise
- TH - Total Heat
- SH - Sensible Heat
- WF - Water Flow
- PD - water Pressure Drop in m (ft) of water
- MBH - Thousands btu's per hour

*Optional Electrical Heater 2.0,2.5,3.0 Kw

Air Delivery - m³/h (cfm) dry coil

SPEED	3 ROW COIL	4 ROW COIL
high	1020 (600)	930 (545)
medium	930 (545)	820 (480)
Low	770 (455)	700 (410)

FCR 600 - Heating Capacity



Based on 21.1°C (70°F) Entering air Temperatures

EWT	1 ROW ⁽¹⁾			3 ROW COIL			4 ROW COIL		
	WF	CAP	PD	WF	CAP	PD	WF	CAP	PD
°C (°F)	m ³ /h (gpm)	kw (MBH)	m (ft)	m ³ /h (gpm)	kw (MBH)	m (ft)	m ³ /h (gpm)	kw (MBH)	m (ft)
49 (120)	0.11 (0.5)	2.56 (8.74)	0.54 (1.76)	0.45 (2.0)	5.55 (18.93)	0.71 (2.34)	0.91 (4.0)	6.9 (23.56)	1.49 (4.88)
	0.23 (1.0)	2.68 (9.15)	1.49 (4.88)	0.68 (3.0)	5.97 (20.36)	1.49 (4.88)	1.14 (5.0)	7.01 (23.91)	2.26 (7.4)
	0.34 (1.5)	2.82 (9.61)	2.98 (9.77)	0.91 (4.0)	6.18 (21.09)	2.44 (8.01)	1.36 (6.0)	7.08 (24.17)	2.99 (9.8)
60 (140)	0.11 (0.5)	3.64 (12.43)	0.52 (1.69)	0.45 (2.0)	7.89 (26.92)	0.69 (2.26)	0.91 (4.0)	9.82 (33.51)	1.44 (4.71)
	0.23 (1.0)	3.81 (13.01)	1.43 (4.7)	0.68 (3.0)	8.49 (28.96)	1.44 (4.71)	1.14 (5.0)	9.96 (34.01)	2.24 (7.34)
	0.34 (1.5)	4.01 (13.67)	2.87 (9.42)	0.91 (4.0)	8.79 (30.0)	2.35 (7.72)	1.36 (6.0)	10.07 (34.38)	2.87 (9.42)
71 (160)	0.11 (0.5)	4.67 (15.93)	0.5 (1.63)	0.45 (2.0)	10.11 (34.49)	0.66 (2.17)	0.91 (4.0)	12.58 (42.93)	1.38 (4.53)
	0.23 (1.0)	4.88 (16.67)	1.38 (4.53)	0.68 (3.0)	10.87 (37.1)	1.38 (4.53)	1.14 (5.0)	12.77 (43.6)	2.15 (7.07)
	0.34 (1.5)	5.13 (17.52)	2.87 (9.42)	0.91 (4.0)	11.26 (38.44)	2.26 (7.4)	1.36 (6.0)	12.91 (44.05)	2.76 (9.06)
82 (180)	0.11 (0.5)	5.69 (19.42)	0.48 (1.56)	0.45 (2.0)	12.33 (42.06)	0.64 (2.09)	0.91 (4.0)	15.34 (52.36)	1.33 (4.35)
	0.23 (1.0)	5.96 (20.33)	1.33 (4.35)	0.68 (3.0)	13.26 (45.25)	1.33 (4.35)	1.14 (5.0)	15.57 (53.14)	2.07 (6.79)
	0.34 (1.5)	6.26 (21.36)	2.65 (8.70)	0.91 (4.0)	13.73 (46.87)	2.18 (7.14)	1.36 (6.0)	15.74 (53.72)	2.65 (8.7)

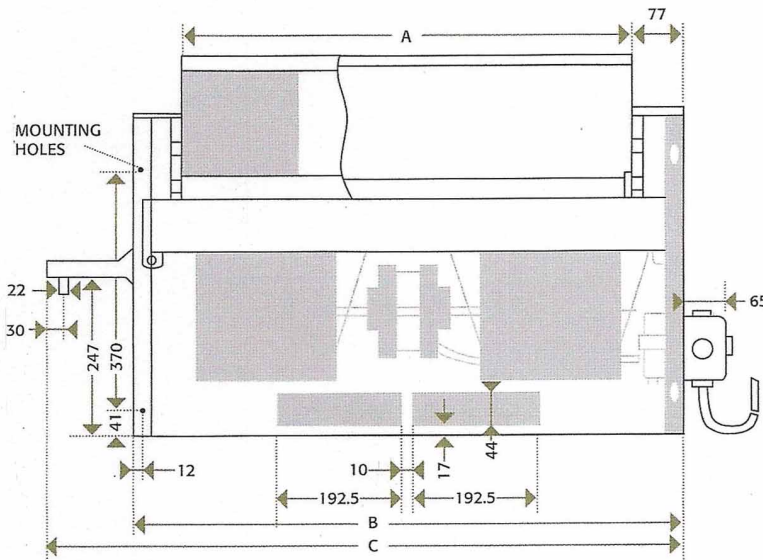
(1) in a 1 row heating coil + 3 row cooling coil

- EWT - Entering Water Temperature
- WF - Water Flow
- MBH - Thousands btu's per hour
- CAP - Unit Heating Capacity
- PD - water Pressure Drop in m (ft) of water

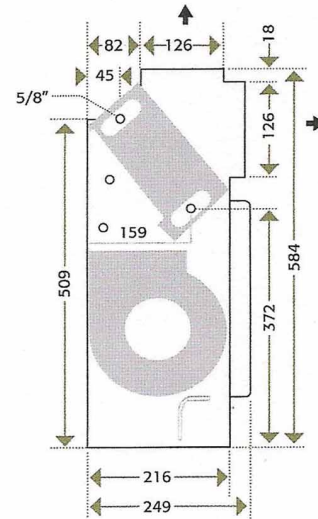
General Dimensions



Vertical Unit Model FCR 300 ▪ 400 ▪ 600 (VT or VF)



Front View



Side View

- Notes:
1. All drawings are not to scale
 2. All dimensions are in mm, unless noted otherwise

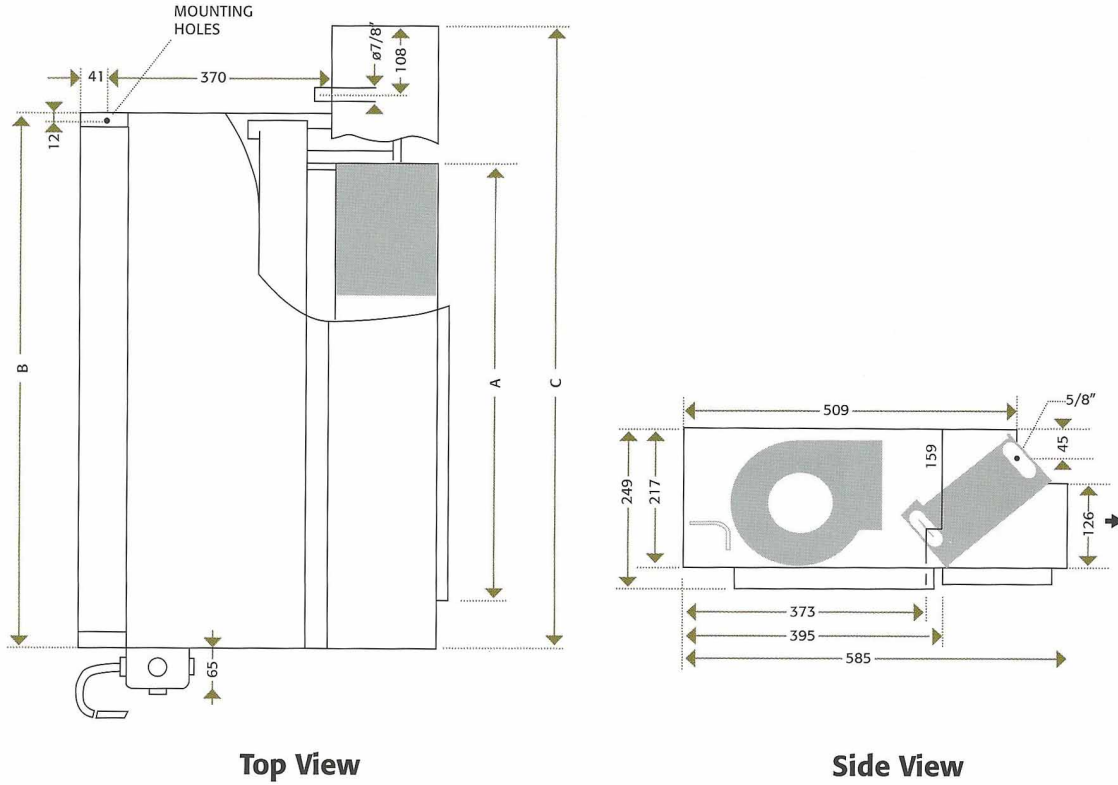
	UNIT MODEL	A	B	C
VERTICAL	300 ⁽¹⁾	535	680	816
	400	691	838	974
	600	1098	1243	1379

Notes: (1) FCR 300 only one fan

General Dimensions



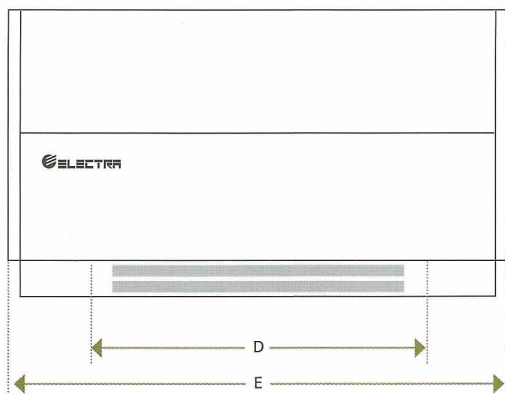
Horizontal Unit Model FCR 300 ▪ 400 ▪ 600 (HF)



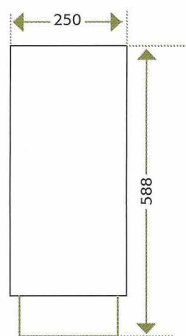
- Notes:
1. All drawings are not to scale
 2. All dimensions are in mm, unless noted otherwise

HORIZONTAL	UNIT MODEL	A	B	C
	300	535	680	819
	400	691	838	977
	600	1098	1243	1382

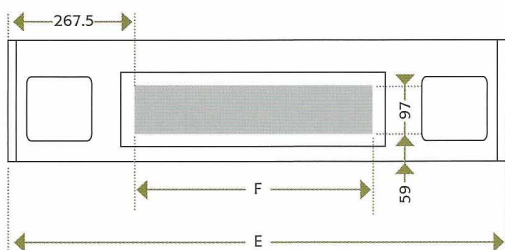
Enclosure Dimensions



Front View



Side View



Top View

UNIT MODEL	D	E	F
300	694	1022	487
400	772	1180	645
600	1050	1585	1050

- Notes: 1. All drawings are not to scale
2. All dimensions are in mm, unless noted otherwise

Filter Sizes

UNIT MODEL	SIZE
300	215 x 625
400	215 x 780
600	215 x 1185

- Notes: 1. All dimensions are in mm