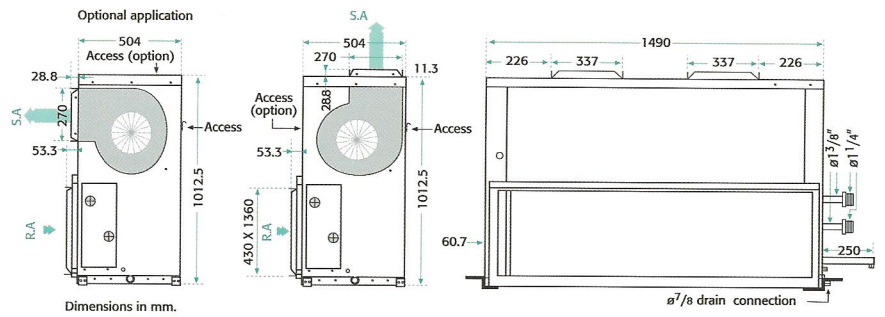


# AWV 2500



## Technical Data

<b>Air flow rate</b>	M <sup>3</sup> /HR (CFM):	4250 (2500)
<b>Fan quantity/type</b>		2 x DD 9-10
<b>Fan motor</b>	SPEED/ HP:	3/1/2 (x2)
<b>Nominal rpm</b>		950
<b>Power supply</b>	V/PH/Hz:	220 - 240/1/50
<b>Current</b>	A:	2 x 2.6
<b>Electric Heater Options</b>	kW:	5.7 / 7.2 / 11.5

<b>Sound pressure level*</b>	dBA:	50
<b>External static pressure</b>	Inch H <sub>2</sub> O:	0.25(4 rows)
<b>Drain tube diameter</b>	Inch:	1/2 BSPT
<b>Fuse (Type)</b>	A(C):	10 With heater-see page 54
<b>Coil face area</b>	Ft <sup>2</sup> /m <sup>2</sup> :	6.46 / 0.6
<b>Weight (Net)</b>	Kg:	95

\* Sound pressure level measured at 1.8m' from unit side and 1.5m' above floor level Extra insulation 1 inch and perforated sheet metal on the side panels reduces the sound level up to 2 DB

## Water cooling coil rating

	EAT (F)		73 DB 62 WB				77 DB 65 WB				80 DB 67 WB				85 DB 71 WB			
	EWT	WTR	TC	SC	FLOW	PD	TC	SC	FLOW	PD	TC	SC	FLOW	PD	TC	SC	FLOW	PD
	°F	°F	kbtuh	kbtuh	gpm	ft	kbtuh	kbtuh	gpm	ft	kbtuh	kbtuh	gpm	ft	kbtuh	kbtuh	gpm	ft
4 rows	42	8	57.3	46.7	14.2	8.5	72.6	53.8	18.1	13.1	83.9	59.9	20.9	17.3	107.3	68	25.9	27.6
		10	50.4	43.3	10	4.4	64.4	50.3	12.8	6.9	74.8	56	14.9	9.2	99	64.5	19.7	15.5
		12	43.8	39.6	7.2	2.4	56.5	46.6	9.3	3.8	66.5	52.4	11	5.2	89.5	60.9	14.7	9
	45	8	47.4	42	11.7	5.8	61	48.9	15.2	9.4	71	54.6	17.7	12.5	94.7	63	23.6	21.6
		10	42	38.6	8.4	3.1	54	45.6	10.8	4.8	63.2	51.3	12.6	6.6	85.8	59.6	17.1	11.7
		12	36.7	34.6	6	1.7	47.6	42.3	7.8	2.7	56.3	47.9	9.3	3.8	77.1	56.1	12.8	6.8
48	8	39.8	37.4	9.9	4.1	50.6	44.3	12.6	6.6	59.7	49.8	14.9	9	81.6	58.1	20.4	16.3	
	10	35.1	33.4	7	2.2	45.3	41.3	9	3.4	53.4	46.8	10.6	4.8	73.1	54.8	14.5	8.7	
	12	26.5	26.5	4.4	0.9	40.1	37.5	6.6	1.9	48	43.6	7.9	2.7	65.2	51.7	10.8	5	
5 rows	42	8	66.7	52.3	16.6	8.4	83.9	60.3	20.9	13.0	96.1	66.8	24.0	16.9	123.2	76.2	30.0	27.1
		10	59.1	48.7	11.8	4.4	75.3	56.5	15.0	6.9	86.9	62.8	17.3	9.1	113.8	72.3	22.6	15.2
		12	51.8	44.8	8.6	2.4	66.6	52.5	11.0	3.9	78.1	59.0	13.0	5.3	104.0	68.4	17.2	9.0
	45	8	55.7	47.2	13.8	5.9	71.2	54.8	17.7	9.4	82.4	61.1	20.6	12.5	109.3	70.5	27.2	21.4
		10	49.6	43.7	9.9	3.1	63.6	51.4	12.7	4.9	74.3	57.6	14.8	6.7	99.7	66.8	19.9	11.7
		12	43.8	39.8	7.2	1.8	56.4	47.8	9.3	2.8	66.5	54.0	11.0	3.9	90.3	63.0	15.0	6.8
48	8	46.7	42.3	11.6	4.2	59.5	49.7	14.8	6.7	69.8	55.7	17.4	9.0	94.5	64.9	23.6	16.2	
	10	41.9	38.5	8.4	2.3	53.5	46.6	10.7	3.5	63.2	52.7	12.5	4.9	86.2	61.4	17.0	8.8	
	12	29.0	29.0	4.8	0.8	48.0	42.9	7.9	2.0	57.0	49.4	9.5	2.8	77.0	58.0	12.8	5.1	
6 rows	42	8	76.1	57.9	19	8.3	95.2	66.7	23.7	12.8	108.3	73.6	27	16.4	139.1	84.4	34	26.5
		10	67.7	54	13.5	4.4	86.1	62.7	17.1	6.9	99	69.6	19.7	9	128.6	80.1	25.5	14.8
		12	59.8	50	9.9	2.4	76.6	58.4	12.7	3.9	89.7	65.5	14.9	5.3	118.5	75.9	19.6	8.9
	45	8	64	52.4	15.9	6	81.3	60.6	20.1	9.4	93.8	67.5	23.4	12.4	123.8	78	30.8	21.1
		10	57.1	48.8	11.3	3.1	73.2	57.1	14.5	5	85.3	63.8	17	6.7	113.5	73.9	22.6	11.6
		12	50.8	44.9	8.4	1.8	65.1	53.2	10.8	2.9	76.6	60	12.7	3.9	103.4	69.9	17.1	6.8
48	8	53.6	47.1	13.3	4.3	68.4	55.1	17	6.8	79.8	61.6	19.8	9	107.3	71.6	26.7	16	
	10	48.7	43.6	9.7	2.3	61.7	51.8	12.3	3.6	72.9	58.5	14.4	5	99.2	68	19.5	8.8	
	12	31.4	31.4	5.1	0.6	55.8	48.3	9.2	2	66	55.1	11	2.9	88.8	64.3	14.7	5.1	

## Water heating coil rating

	EAT (F)		70 DB		80 DB		
	EWT	WTD	TH	FLOW	WTD	TH	FLOW
	°F	°F	kbtuh	gpm	°F	kbtuh	gpm
1 row	113	9.50	28.06	6.05	7.30	20.89	6.05
	120	11.00	32.62	6.05	8.80	26.16	6.05
2 rows	113	9.30	49.44	10.80	7.20	37.94	10.80
	120	10.90	57.63	10.80	8.70	46.09	10.80

Preliminary data  
Specifications subject to change  
without notice

EA - Entering Air Temperature °F  
EWT - Entering Water Temperature °F  
WTR - Water Temperature Rise °F

TC - Total Cooling Capacity in 1000•BTU/H  
SC - Sensible Cooling Capacity in 1000•BTU/H  
PD - Pressure Drop FT H<sub>2</sub>O

TH - Total Heating Capacity in 1000•BTU/H  
WTD - Water Temperature Decrease °F